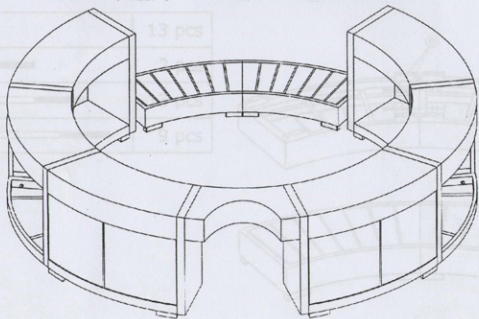


Set the footstep by inverting picture




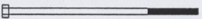
INSTRUCTIONS

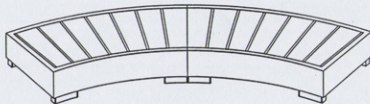
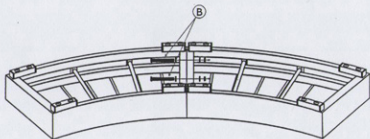
JACUZZY ASSEMBLING



1

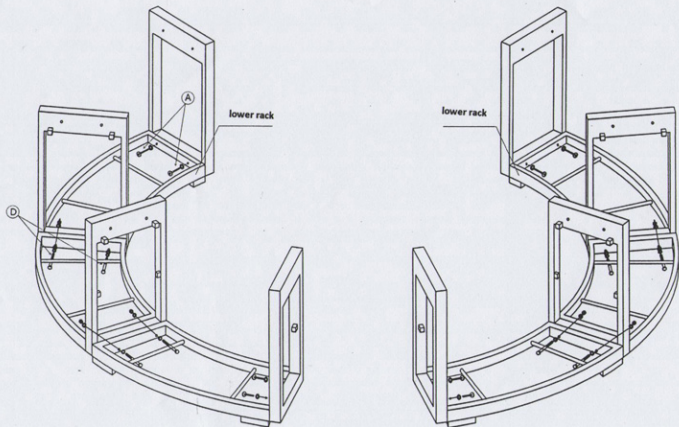
Set the footstep by inverting it, and hook with the scrue as seen in the picture

A		13 pcs
B		2 pcs
C		13 pcs
D		9 pcs



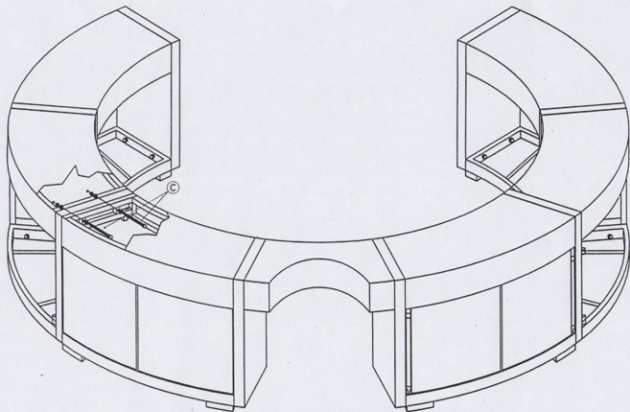
2

Set the footstep and the lower rack, then hook the footstep and the lower rack one by one with the scrue as seen in the picture



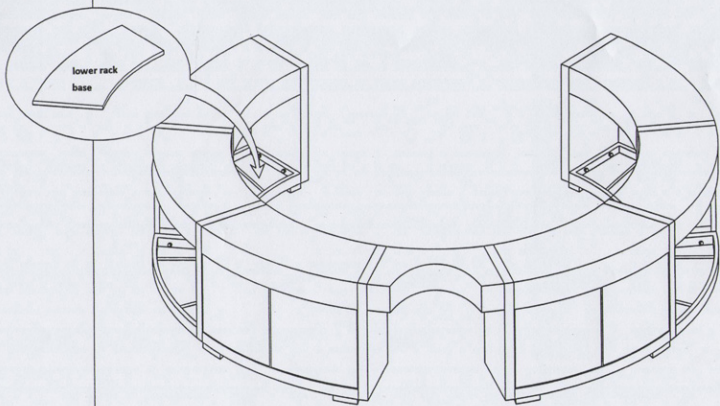
3

Set the step rack, hook with the scrue



4

Set the rack base to each lower rack, and the middle rack is set to the rack which has the door



5

The Jacuzzi will be as seen in this picture.

